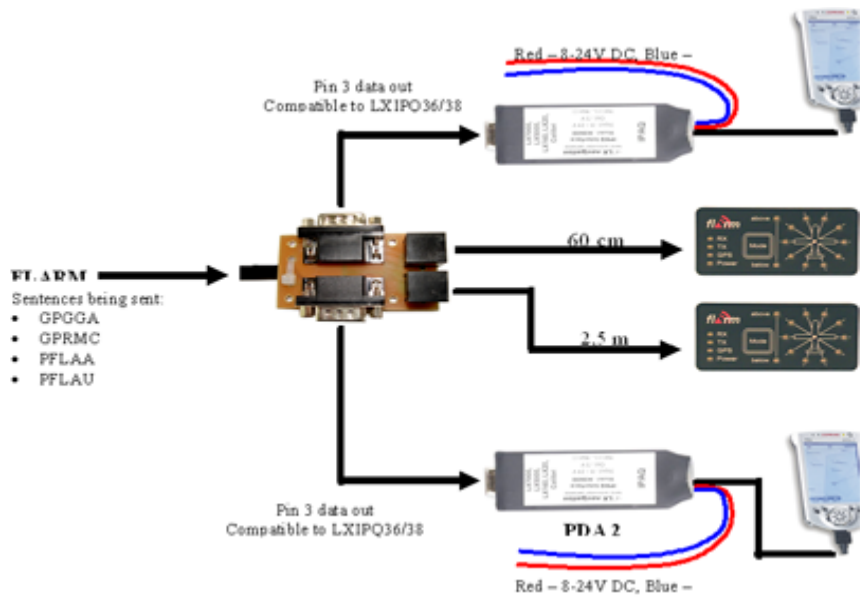


LX-FLARM tillbehör

Artikel		Pris i € inkl moms
LX FLARM grafisk display (färg), Best.Nr.: FLARMCOL		186,00
LX FLARM extern display (LED) (Splitter nödvändig i tvåsitsare) Best. Nr.: FLARMLED		92,40
LX FLARM Splitting Unit 2 externa Displayer och 2 PDA. Endast för LX-Flarm Redbox, se nästa sida Best.Nr.: LX FLARM-SPL-UNIT		58,80
LX FLARM Splitting Unit för MiniBox 2 externa Displayer och 2 PDA. Endast för LX-Flarm Minibox, se nästa sida Best.Nr.: LX FLARM-SPL-UNIT-UNIT-MB		58,80
LX FLARM Splitter För anslutning av extern display, se nästa sida Best.Nr.: LX FLARM-SPL		42,00
Kara för FLARM Display (LED) Best.Nr. DSPLI-CASE		18,00
LX Voice: Sprachausgabe Modul (Stand alone Version) Flarm kompatibel ingång, högtalare. Best.Nr LX-SPE		288,00
LX FLARM λ/4-Antenne Best.Nr.: ANT- FL-120		58,80
LX FLARM Dipol-Antenn med 1,50 m kabel Best. Nr.: ANT-F-D-150		25,20

LX Flarm splitting unit

The unit is capable to split Flarm data string towards two 6P telephone type connectors and two 9P Sub D type connectors. 6P connectors are capable to drive up to two Flarm displays and 9P connectors are planned to supply navigation instruments for instance PDA/PNA with GPS/Flarm data. Pin-out of 9P connectors correspond to RS 232 standard and is also plug and play compatible to LX IPAQ power and data converter. It is important to point out that 9P connectors include only GND and data output, that means there is no way to send any data from PDA into Flarm. 6p connectors includes both communication lines, GND and 3.3V DC.



LX Flarm splitter

Connects Flarm with two Flarm displays
Drive one Flarm display and one navigation instrument

